



**TRAPSENSOR®**

# Data Sheet

## TrapSensor TS3 Rat

---

IoT rat snap trap for efficient remote pest control management. Standard-sized rat trap with effective kill bar, strong springs and teeth to keep a catch in place. Sensor that reports on 3 states (ready/no catch/catch). Immediate notification when the trap closes or in case of low battery or no connection.

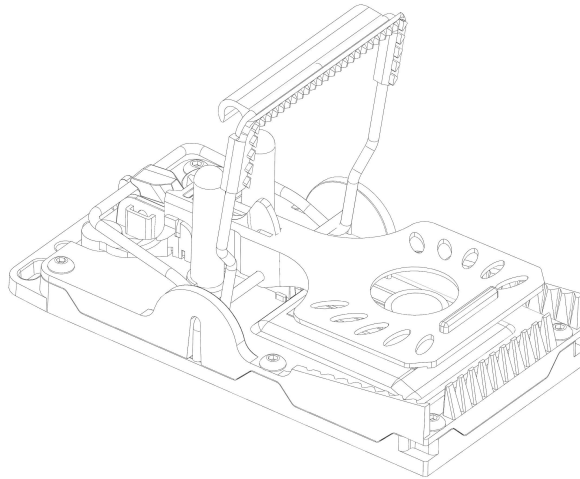


## General Information

Product name	TrapSensor TS3 rat
Manufacturer	Alert House ApS

# Data Sheet - TrapSensor TS3 Rat

---



## Trap Hardware

Operational area	Indoors and outdoors (in a bait station)
IP protection rating	IP67 (dust tight & waterproof up to 1m of submersion)
Temperature range	From -25° C to + 60° C (depending on battery charge)
Dimensions (L x W x H in mm)	154 x 81 x 95
Compatible with industry-standard rodent boxes	Yes
Indicators	Light (green/red LED) and sound buzzer
Cutouts for flanges	Front and back for certain standard bait stations
Color	Black
Finish	Frosted



# Data Sheet - TrapSensor TS3 Rat

Sensor type	Hall magnet sensor and reed switch
States monitored	<ul style="list-style-type: none"> <li>• Trap loaded and activated</li> <li>• Closed with catch</li> <li>• Closed with no catch</li> </ul>
Global unique device ID	Serial number in Arabic numbers and bar code
Power supply	4 x AAA Batteries
Batteries included	No
Expected battery lifetime	3 years or more without changing or recharging Average under normal use with 1 week interval between heartbeat notifications
Materials	ABS/Polycarbonate Stainless steel Neodymium magnet (10x2 disc)
Certifications	CE

## Trap Connectivity

LTE Cat NB-IoT	B1/B2/B3/B4/B5/B8/B12/B13/B17/ B18/B19/B20/B25/B26/B28
LTE-Cat-M1	Bands B1/B2/B3/B4/B5/B8/B12/B13/B17/ B18/B19/B20/B25/B26/B28/B39
2G fallback	850/900/1800/1900MHz



**TRAPSENSOR®**

# Data Sheet - TrapSensor TS3 Rat

---

SIM Card	Micro size SIM card
----------	---------------------

## Backend integration

Integration via MQTT or LWM2M	Will be developed upon request
Data transmission	<ul style="list-style-type: none"><li>● Heartbeat signal once a week</li><li>● Battery status</li><li>● Mobile parameters (signal strength/MNC/LAC/CID/access technology)</li><li>● Errors (battery low/no communication)</li><li>● Events (trap status)</li><li>● Instant data transmission on change of trap status or alarm</li><li>● Retransmission algorithm in case there is no network available</li></ul>
Remote Device Update	Yes
Device Configuration	MQTT will be developed upon request
Device Control	MQTT will be developed upon request